



JACKSON RACING
PERFORMANCE PARTS

Cold Air Induction™ Kit

1.6 Installation Instructions

901-985

Thank you for choosing Jackson Racing for your Miata performance parts. You will find the Jackson Racing Cold Air Induction™ Kit easy to install. Stock components removed should be placed in boxes or plastic bags and marked for easy identification. Access to a Mazda service manual is always helpful when working on your Miata. (Miata Enthusiast Manual, #211-505.)

*This system was designed for use only on the Mazda Miata MX-5. The engine should be in good running condition prior to installation. It is a good time to install new spark plugs (#971-050) and check the timing. Set ignition timing to 14 degrees BTDC. **NOTE: This should be done before the C.A.I. is installed as the Air box blocks visual access to the timing marks.** Refer to a Mazda service manual for specific instructions on setting ignition timing.*

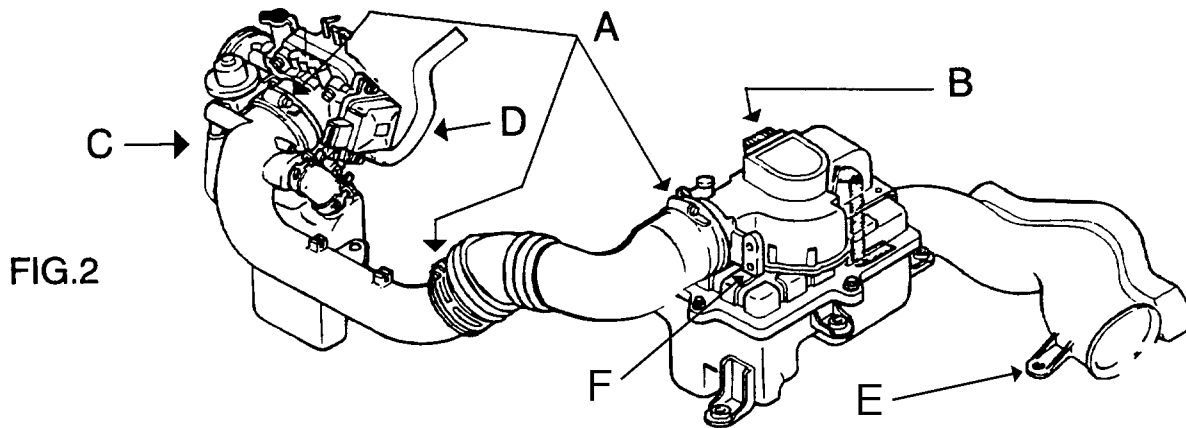
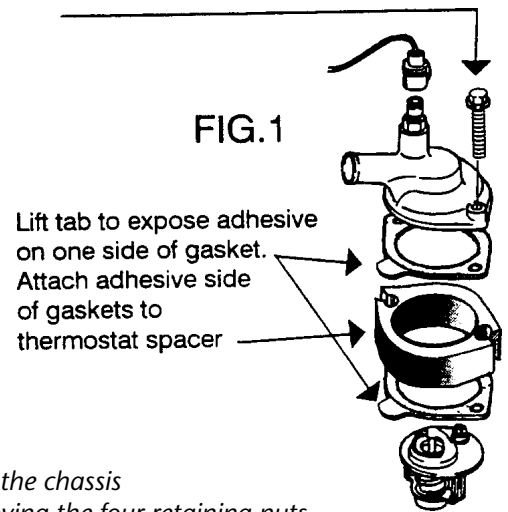
The air filter provided is washable and reusable. Use a maintenance kit for foam air filters (#901-970). Do not use a K&N cleaning kit as it is designed for cotton filters only.

**Please read these instructions completely before installation. You should be able to install the Cold Air Induction Kit using normal tools. You will need a small amount of antifreeze on hand as you will see in the instructions.*

If there are any questions, please call our staff at 1-800-642-8295

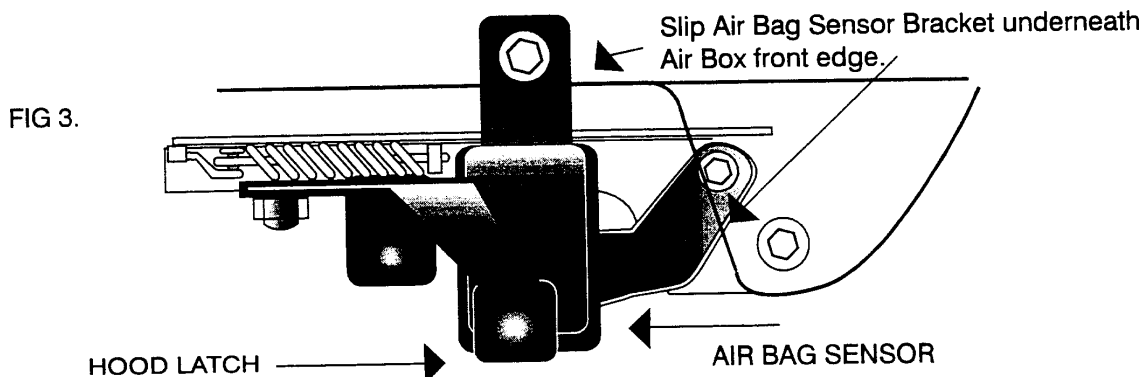
**Distributed by:
Moss Motors, Ltd.
440 Rutherford St.
Goleta, CA 93117**

1. Disconnect the negative side of the battery (-).
2. *Caution: Insure engine is cool to prevent burns from hot coolant. Remove the plug from the thermostat switch at the top of the thermostat housing. Place a drain pan under the car to catch the excess coolant. Remove the thermostat housing by removing the two bolts that secure it. There is also a bracket bolted to the thermostat housing which secures the wire harness. This bracket will not be reused. Remove the existing thermostat. Re-install the old thermostat and then the thermostat spacer supplied using the provided gaskets (2) Remove white paper from gaskets by lifting tabs and apply one gasket to each side of the thermostat spacer and secure using the 8 x 1.25 x 50mm flange bolts (2) provided. FIG. 1*
3. Loosen the hose clamps at the air flow meter, FIG.2 at the throttle body and at the center of the air duct. (A)
4. Unclip and unplug the wire harness at the air flow meter (B) and set it out of the way. (Do not unscrew plug mount at the air flow meter!)
5. Remove the idle air bypass hose and the crank case ventilation hose (C&D) from the intake tube.
6. Disconnect the air duct (A) from the throttle body and remove. Remove the air duct from the air flow meter. Remove on 10mm bolt from inlet tube "E" and remove tube.
7. Remove the two bolts and flange nut that hold the air cleaner / sensor unit to the chassis and remove the assembly. Remove the air flow meter from the air box by removing the four retaining nuts on the inside of the air box and the L bracket at "F" on the air flow meter. Save the cork gasket to use later. Now disconnect the air flow meter from the remaining bracket.



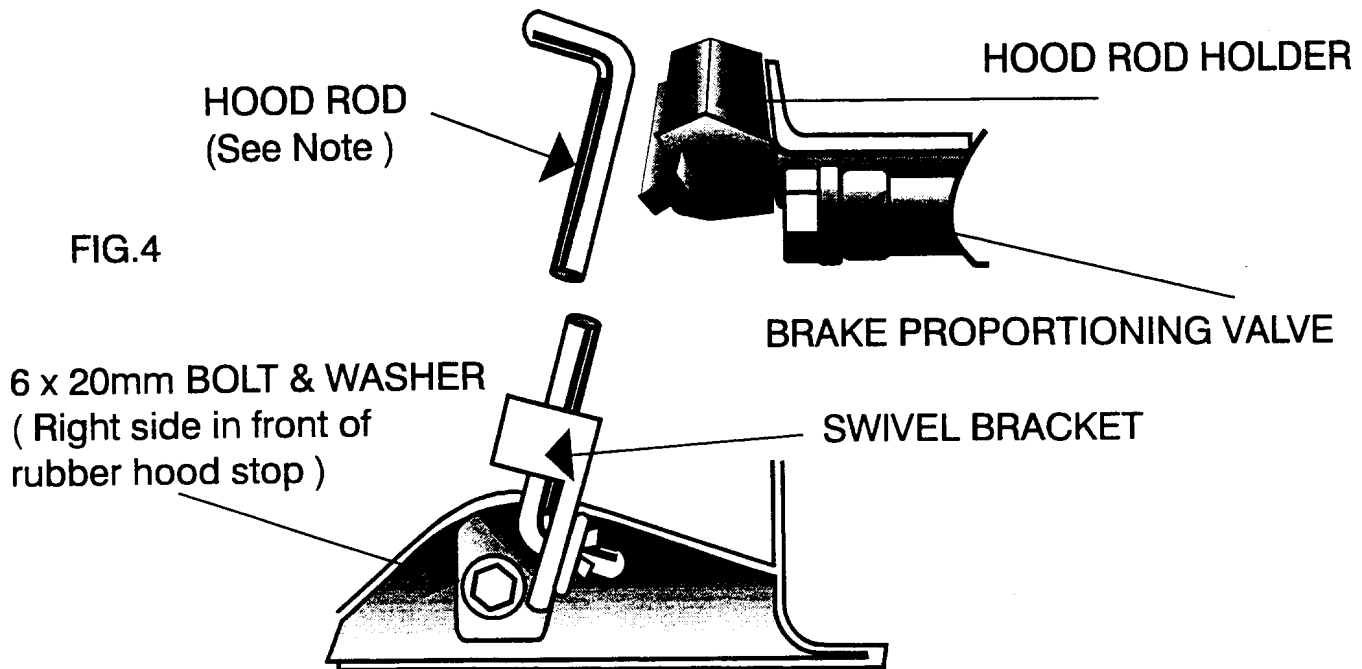
*For Miatas equipped with anti-lock brakes, you'll need to move the filler neck for the windshield wiper fluid. The top sticks through a frame hole to the drivers side of the radiator support and hood latch. You will need to loosen the support bracket nut and slide the filler tube to the furthest position away from the bracket bolt. Tighten the bracket nut this will give you room for the new air box.

8. Locate the air bag sensor. - FIG.3 It is between the hood latch and the radiator. Remove the plastic cover. The air bag sensor harness is now relocated by removing the rubber shield (this will not be refitted) and disconnecting the two plastic connectors. Locate by following the wires to the Drivers side of the engine bay. They are identified by the orange and blue plugs. Reroute the harness under the radiator frame to the right of the headlight motor knob, (looking from the front of the car)



and reconnect to the original plugs on the Drivers side of the engine bay. Important! The harness must not interfere with the headlight opening and closing . Slip Air Bag Sensor bracket under front edge of Air Box and re install stock bolts.

9. Install the aluminum elbow assembly with brass fittings by sliding the smaller side with sleeve to the throttle body opening and secure with the hose clamp provided. Reattach the idle air by pass tube (C) to the brass elbow and reattach the crank case ventilation hose (D) to the smaller brass fitting. Use the 1" hose clamp to secure hose to brass fitting.
10. Connect the accordion flex duct to the open end of the aluminum elbow. Secure with the large hose clamp provided. (See FIG.5)
11. Place the air flow meter (grid side to the back) to the lower section of the air box. Reuse the cork gasket between the air flow meter and the air box.
12. Install the new air filter into the air box. Install the top with the provided screws, except for the back right corner.
13. Remove the two bolts at the front of cowling and position the air box and air meter in place. Reinstall using two 6mm bolts and 6x20mm washers provided, to the front of the air box. Install the Air Box support brace (Pt. No 85BK9004) using the remaining screw hole in the upper right corner of the Air box. (See FIG.5)
14. Connect the new wire harness extension to the OEM harness and route to the air meter and plug in. Tie wrap the harness out of harms way along the crank case ventilation pipe.
15. Tighten clamps holding accordion tube to air meter and elbow. When tightening, pull tube back to ensure adequate crush in tube. **WARNING!** If this is not done, damage to your C.A.I. System can result.



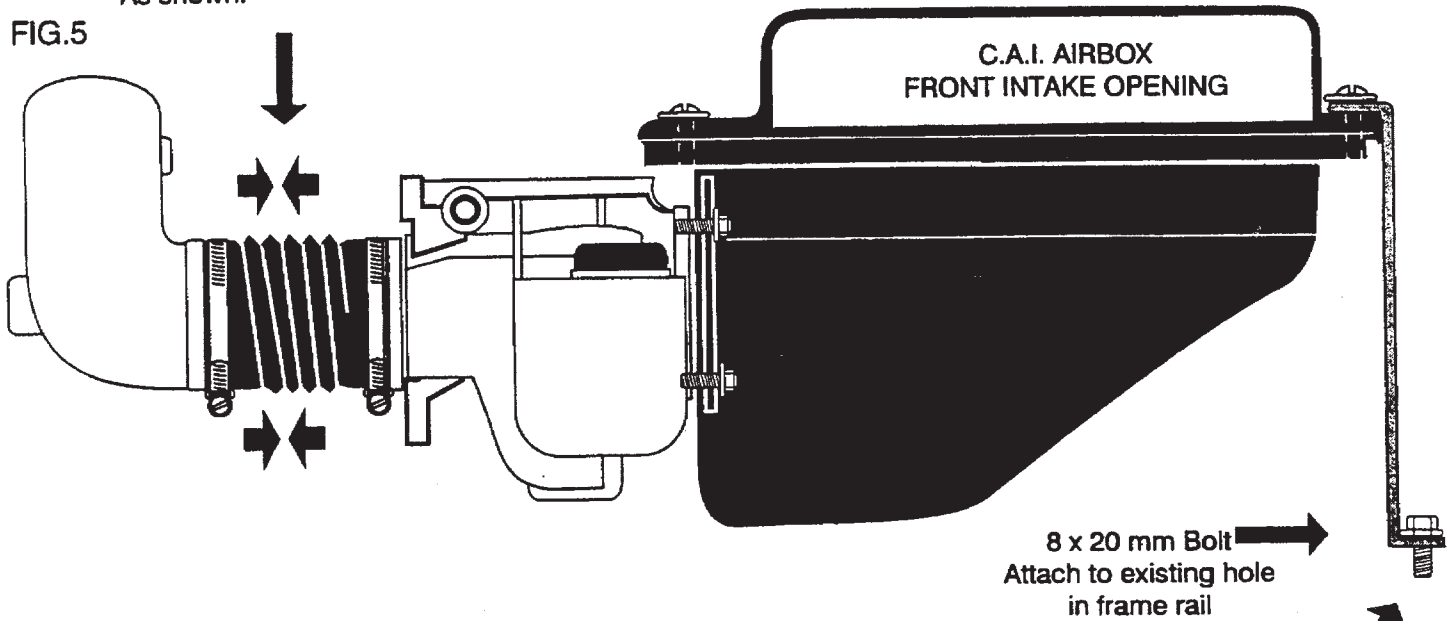
16. Relocate the hood rod using the swivel/bracket #9003 and the rod holder supplied. Locate as illustrated. FIG.4

NOTE: On cars with cruise control it is necessary to remove the cruise control cable mounting clip that uses the square slot and tie wrap the cruise control cable to the throttle cable.

17. Reconnect the negative terminal to the battery.
18. Recheck installation. Top off radiator with antifreeze.
19. **Start your engine!**

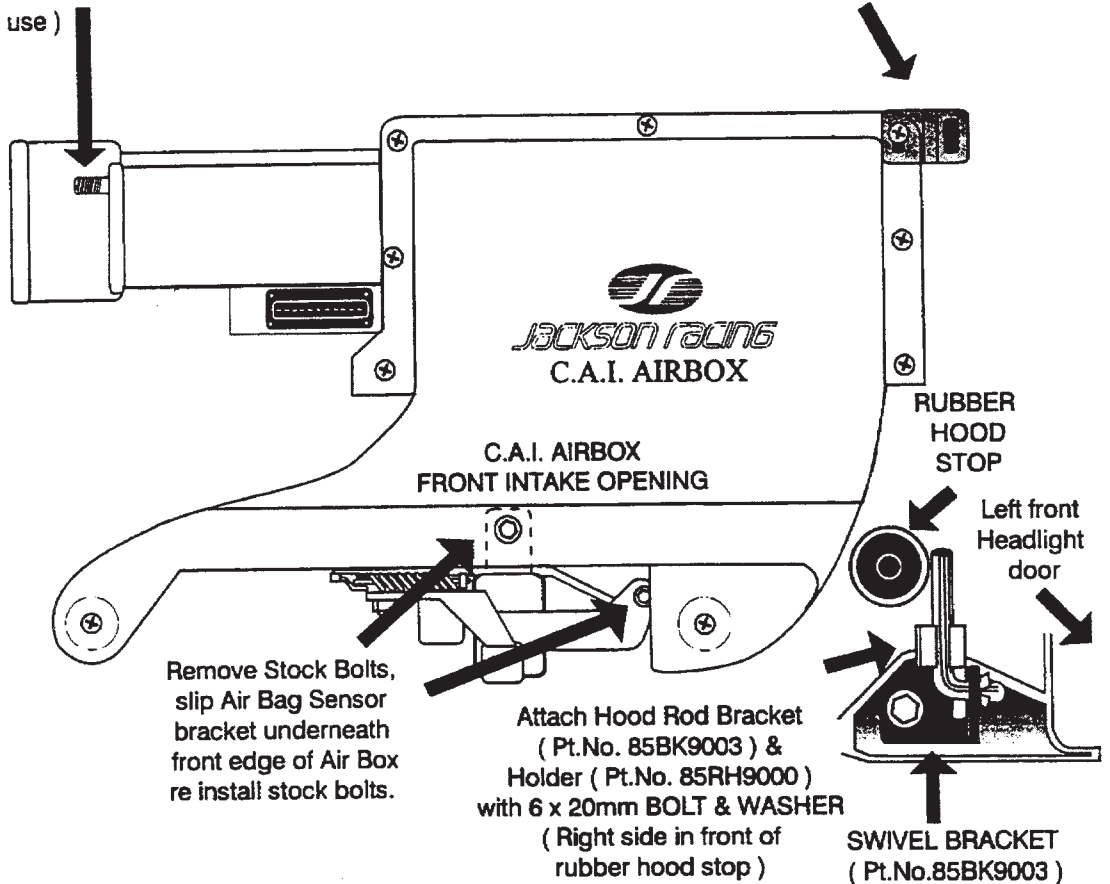
Make sure that the Accordion flex duct (Pt. No.45HE2000)
is fully collapsed in the center when assembled
As shown.

FIG.5



AIRBOX Support Brace.
(Black)
(Pt. No. 85BK 9004)
Small slotted hole to TOP

Existing threaded stud (don't use)





JACKSON RACING
PERFORMANCE PARTS

1990- '93 MAZDA MIATA MX5
Cold Air Induction Kit
Parts List

PART #	DESCRIPTION	QTY.
901-978	CAI HARDWARE 1.8 MIATA	1
051-005	BOLT,HEX FLANGE,M6 X 1.00 X 25	2
051-009	BRACKET, HOOD	1
051-010	BRACKET REAR BOX	1
051-011	BRACKET, AIR MASS SENSOR	1
051-016	CABLE TIE	6
051-017	CLAMP, HOSE, SAE NO. 40	4
051-030	P-CLAMP, LOOM, 1/2IN. ID	1
051-032	HOSE, FLEX, 2.75 X 6	1
051-033	HOSE, SILICONE, 2.635 X 2	1
051-041	HOLDER, ROD	1
051-042	HOLDER, ROD	1
051-044	SCREW, MACHINE, M6 X 1.0 X 12	2
051-045	SHRINK TUBE, 3/4ID X 5 IN.	2
051-127	BOLT FLANGED 8X20X1.25	1
051-190	CLAMP,HOSE,#6	1
051-000	ADAPTER, METER	1
051-004	BOLT,HEX FLANGE,M6 X 1.00 X 15	4
051-020	ELBOW, CASTING	1
051-034	LABEL, CARB EO	1
051-053	WIRE HARNESS	1
901-987	FILTER, AIR, CAI	1
051-482	BOX. 21-3/8X15-5/8X9-1/2	1
051-694	HARDWARE, AIRBOX	1
051-695	AIRBOX, RAW	1
051-711	INSTRUCTIONS	1
051-001	HOSE BARB, 1/8 NPT X 5/16	1

Indented items are included in the above kit

Packed By:



MOSS MOTORS, LTD.

P.O. Box 847 440 Rutherford Street Goleta, California 93117 (800) 235-6954 FAX (805) 692-2525

Revised 12/01